



Features

- Compact round appearance give a feeling of elegance and exquisite
- CeFiONtect technology: super smooth, ion barrier glazing for a clean lavatory
- Stylish, above counter design

Specifications

Size : 400W x 400D x 60H mm
Material : Ceramic



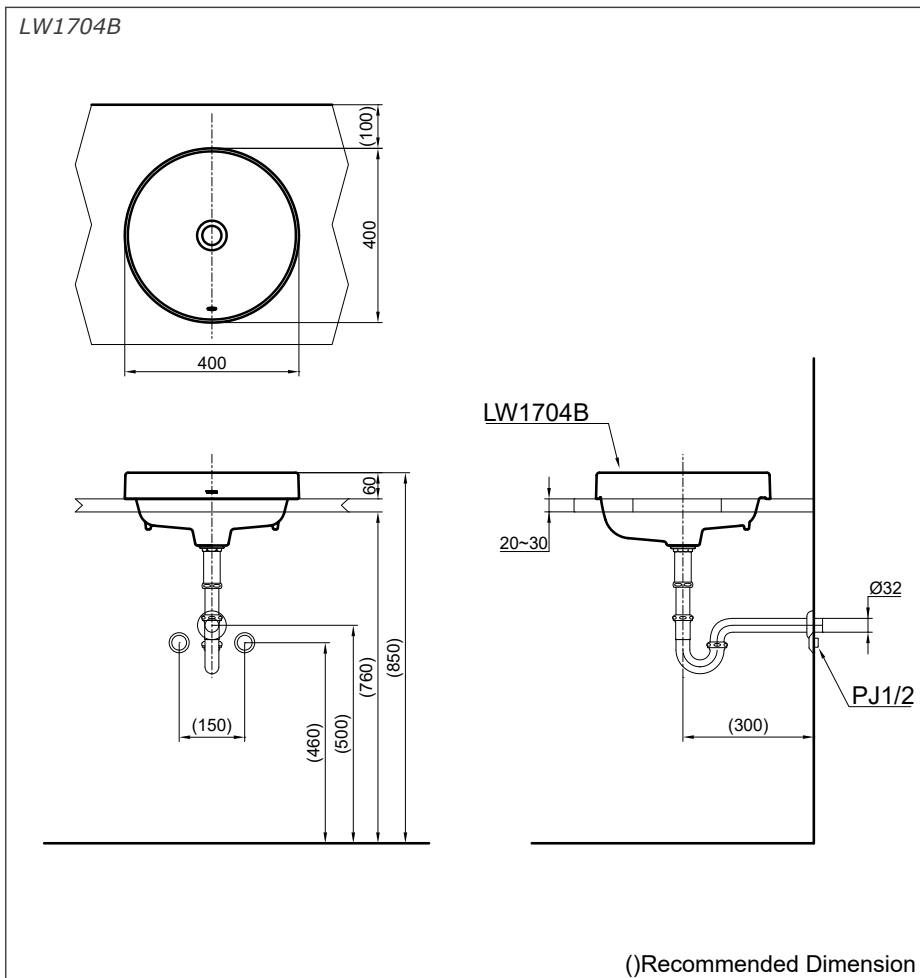
Parts description

Faucet not included

- **LW1704B**
Console Lavatory

Colors

White (cefiontect)



Please consult a TOTO representative for details